

## MTH Mini-Tubular Heaters

- 360° Heated Area
- Readily Conforms to Surface
- Fast Response and Quick Heat Transfer
- Helical Coil Design for Superior Performance
- Shock, Vibration, Contamination and Corrosion Resistant
- Available with Thermocouple Grounded at End on .125 and .188
- Sheath Diameters: .040", .062", .093", .125" and .188"

### Specifications - Closed Wound Coil

Model Number	I.D. (A)	Length (L)	Watts	Volts
MTC826	7/8"	2-5/8"	780	240
MTC831	7/8"	3-1/8"	650	240
MTC836	7/8"	3-5/8"	630	240
MTC842X	7/8"	4-5/16"	760	240
MTC852X	7/8"	5-5/16"	950	240
MTC861X	7/8"	6-15/16"	1120	240
MTC872X	7/8"	7-15/16"	1200	240
MTC882X	7/8"	8-15/16"	1260	240
MTC520	1/2"	2"	340	120
MTC525	1/2"	2-1/2"	325	120
MTC530	1/2"	3"	350	120
MTC535	1/2"	3-1/2"	400	120
MTC545	1/2"	4-1/2"	450	120
MTC555	1/2"	5-1/2"	550	120
MTC565	1/2"	6-1/2"	650	120

Above items standard with built-in thermocouple and 36" cable, "C" = 1" in straight position (Type 1).

### Specifications - Special Wound Coil

Model Number	Diameter (D)	Length (L)	Watts	Volts
MTC546	1/2"	4-5/8"	300	120
MTC546	1/2"	4-5/8"	300	240

Above items standard with built-in thermocouple and 48" armor cable, "C" = 1" at 45° (Type 2).



*Closed Wound Coil*

### Description

With the capability to be formed into many shapes, the Mini-Tubular is adaptable to a variety of applications.

Swaged or drawn alloy cable, compacted magnesium oxide and a helical or straight resistance element are the assembled components of the Mini-Tubular. Small diameters and cross-sections allow a quick response, providing heat in tight spaces where most heaters cannot be installed. The typically spiral design allows heat to be applied to the full

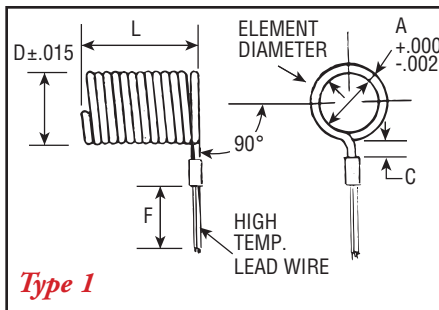


*Special Wound Coil for Profiled Heat Pattern*

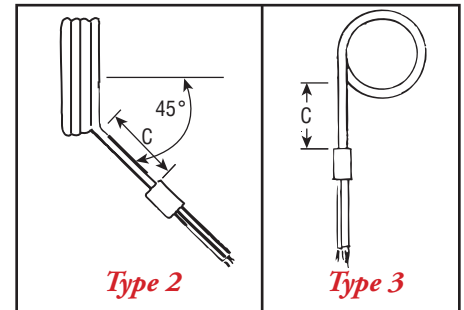
circumference of the part. The small diameter Mini-Tubular Band Heaters at 3/4" and 7/8" inside diameter are exact OEM replacements. Also available is a square profile design that increases surface contact for improved conductive heat transfer. An internal thermocouple in some sizes allows for precise temperature monitoring and control.

Mini-Tubular Heaters can also be supplied straight for field bending.

### Terminations

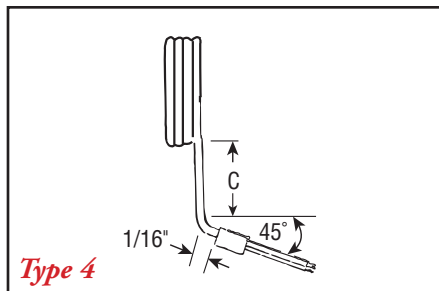


*Type 1*

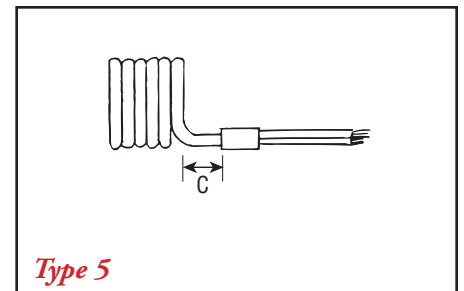


*Type 2*

*Type 3*



*Type 4*



*Type 5*

Mini-Tubular Heaters are available with standard high temperature leads (450°F/250°C), teflon leads, flexible stainless steel braided lead protection or with stainless steel armor cable.

